

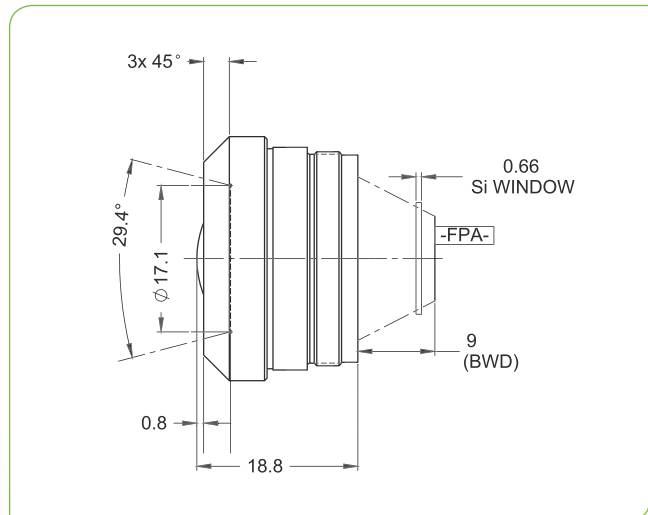
# SupIR 19mm f/1.1, Fixed Athermalized 65221

TYPICAL ICD\*

LWIR | 1-FOV



**HD**  
FORMAT



| HFOV | 320x240 | 384x288 | 640x480 | 1024x768 |
|------|---------|---------|---------|----------|
| 17μ  | 16.1°   | 19.3°   | 32.1°   |          |
| 12μ  | 11.4°   | 13.7°   | 22.7°   | 36.3°    |

| Property                      | Value  |                   |       |         |         |
|-------------------------------|--|-------------------|-------|---------|---------|
| <b>Optical</b>                |  |                   |       |         |         |
| Focal Length                  | 19mm   |                   |       |         |         |
| F#                            | 1.1  |                   |       |         |         |
| Average transmission (8-12μm) | 94% (HD) / 88% (HC)                          |                   |       |         |         |
| Back Focal Length             | 11.51mm in air                               |                   |       |         |         |
| <b>Mechanical</b>             |  |                   |       |         |         |
| Focus Mechanism               | Fixed  |                   |       |         |         |
| Depth of Field                | 12.5m to infinity                            |                   |       |         |         |
| Focus Range                   | 0.6m to infinity                             |                   |       |         |         |
| Weight                        | see configuration table below                |                   |       |         |         |
| Max. Dimensions               | see configuration table below                |                   |       |         |         |
| <b>Environmental</b>          |  |                   |       |         |         |
| Operation Temperature         | -40°C to +80°C                               |                   |       |         |         |
| Storage Temperature           | -57°C to +105°C                              |                   |       |         |         |
| Sealing                       | IP67 front element sealing (conf. 08 and 09) |                   |       |         |         |
| Configurations                | Weight (gr)                                  | Dimensions        | BWD** | Thread  | Coating |
| 65221-02                      | 19.8   | Ø29.4mm x 18.8mm  | 9     | M25x0.5 | HD      |
| 65221-03                      |  |                   |       |         | HC      |
| 65221-08                      | 20   | Ø25.12mm x 18.8mm | 9.7   | M24x0.5 | HD      |
| 65221-09                      |  |                   |       |         | HC      |

\* The ICD drawing provided here is primarily a representation and may not accurately reflect the product's actual dimensions and specifications. For precise integration specifications contact your local sales representative.

\*\* The BWD value is calculated for a unique detector setup with varying sealing windows in terms of thickness and material. For more details, contact your local sales representative.